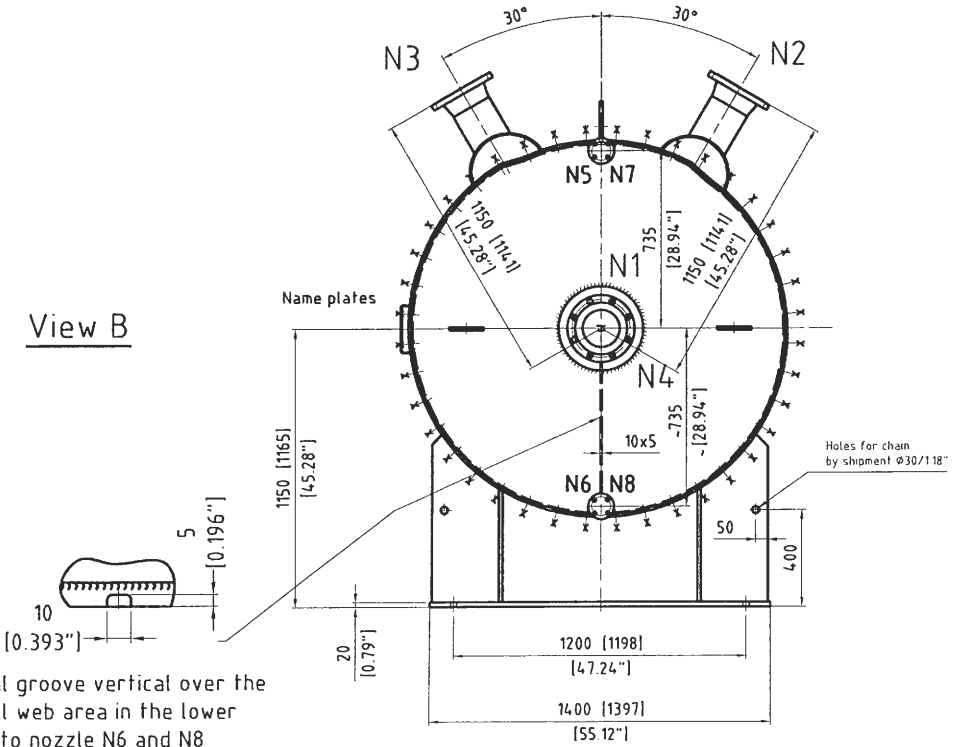


A

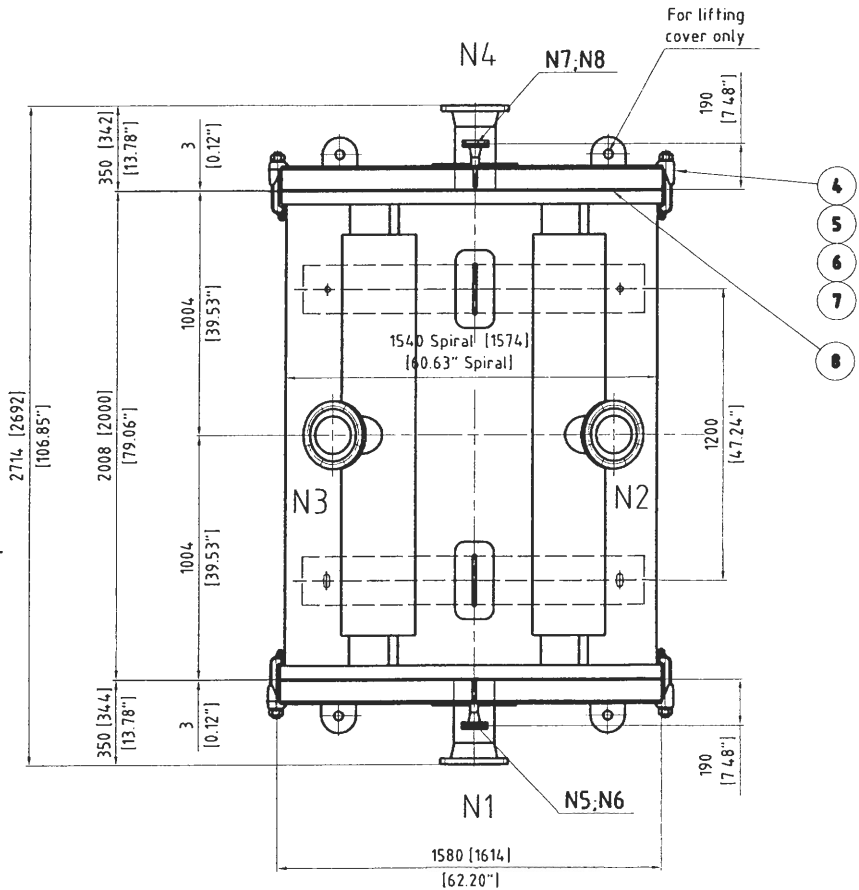


View B



Spiral groove vertical over the Spiral web area in the lower part to nozzle N6 and N8

View A



- 4
- 5
- 6
- 7
- 8